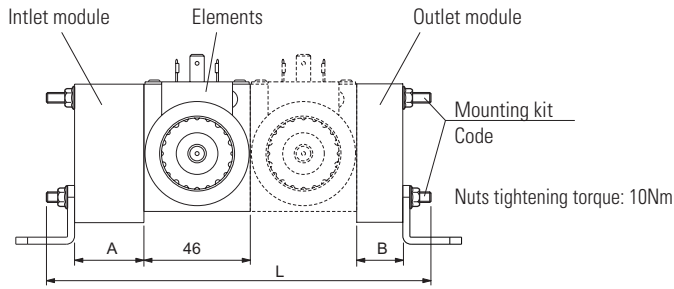


Mounting kit

ON/OFF and proportional valves

Kit composed by No. 4 rods and No. 8 stud nuts

For more combinations contact our customer service.



| Inlet module | | FE3 / FE02 (A=30 mm) | | | | | | | |
|---------------|---|----------------------|--------|----------------|--------|----------------|--------|----------------|--------|
| Outlet module | | FU3 (B=15 mm) | | FU3* (B=20 mm) | | FUT3 (B=25 mm) | | FUS3 (B=35 mm) | |
| | | Code | L (mm) | Code | L (mm) | Code | L (mm) | Code | L (mm) |
| Elements | 1 | V89B50042 | 121 | V89B50043 | 125 | V89B50043 | 125 | V89B50044 | 140 |
| | 2 | V89B50047 | 160 | V89B50012 | 170 | V89B50012 | 170 | V89B50022 | 180 |
| | 3 | V89B50013 | 210 | V89B50013 | 210 | V89B50023 | 220 | V89B50049 | 230 |
| | 4 | V89B50014 | 260 | V89B50014 | 260 | V89B50024 | 270 | V89B50024 | 270 |
| | 5 | V89B50052 | 300 | V89B50015 | 310 | V89B50015 | 310 | V89B50053 | 320 |
| | 6 | V89B50016 | 350 | V89B50016 | 350 | V89B50026 | 361 | V89B50036 | 380 |
| | 7 | V89B50055 | 390 | V89B50017 | 400 | V89B50017 | 400 | V89B50027 | 410 |
| | 8 | V89B50018 | 440 | V89B50028 | 450 | V89B50028 | 450 | V89B50056 | 460 |

| Inlet module | | FE10S (A=35 mm) | | | | | | | |
|---------------|---|-----------------|--------|----------------|--------|----------------|--------|----------------|--------|
| Outlet module | | FU3 (B=15 mm) | | FU3* (B=20 mm) | | FUT3 (B=25 mm) | | FUS3 (B=35 mm) | |
| | | Code | L (mm) | Code | L (mm) | Code | L (mm) | Code | L (mm) |
| Elements | 1 | V89B50042 | 121 | V89B50043 | 125 | V89B50043 | 125 | V89B50045 | 145 |
| | 2 | V89B50012 | 170 | V89B50012 | 170 | V89B50022 | 180 | V89B50032 | 190 |
| | 3 | V89B50013 | 210 | V89B50023 | 220 | V89B50023 | 220 | V89B50049 | 230 |
| | 4 | V89B50014 | 260 | V89B50024 | 270 | V89B50024 | 270 | V89B50034 | 285 |
| | 5 | V89B50015 | 310 | V89B50015 | 310 | V89B50015 | 310 | V89B50035 | 330 |
| | 6 | V89B50016 | 350 | V89B50026 | 361 | V89B50026 | 361 | V89B50036 | 380 |
| | 7 | V89B50017 | 400 | V89B50017 | 400 | V89B50027 | 410 | V89B50037 | 430 |
| | 8 | V89B50028 | 450 | V89B50028 | 450 | V89B50028 | 450 | V89B50038 | 470 |

| Inlet module | | FELS / FE10 / FE10LS (A=40 mm) | | | | | | | |
|---------------|---|--------------------------------|--------|----------------|--------|----------------|--------|----------------|--------|
| Outlet module | | FU3 (B=15 mm) | | FU3* (B=20 mm) | | FUT3 (B=25 mm) | | FUS3 (B=35 mm) | |
| | | Code | L (mm) | Code | L (mm) | Code | L (mm) | Code | L (mm) |
| Elements | 1 | V89B50043 | 125 | V89B50021 | 130 | V89B50044 | 140 | V89B50046 | 150 |
| | 2 | V89B50012 | 170 | V89B50022 | 180 | V89B50022 | 180 | V89B50032 | 190 |
| | 3 | V89B50023 | 220 | V89B50023 | 220 | V89B50049 | 230 | V89B50033 | 240 |
| | 4 | V89B50024 | 270 | V89B50024 | 270 | V89B50024 | 270 | V89B50034 | 285 |
| | 5 | V89B50015 | 310 | V89B50015 | 310 | V89B50053 | 320 | V89B50035 | 330 |
| | 6 | V89B50026 | 361 | V89B50026 | 361 | V89B50036 | 380 | V89B50036 | 380 |
| | 7 | V89B50017 | 400 | V89B50027 | 410 | V89B50027 | 410 | V89B50037 | 430 |
| | 8 | V89B50028 | 450 | V89B50028 | 450 | V89B50056 | 460 | V89B50038 | 470 |

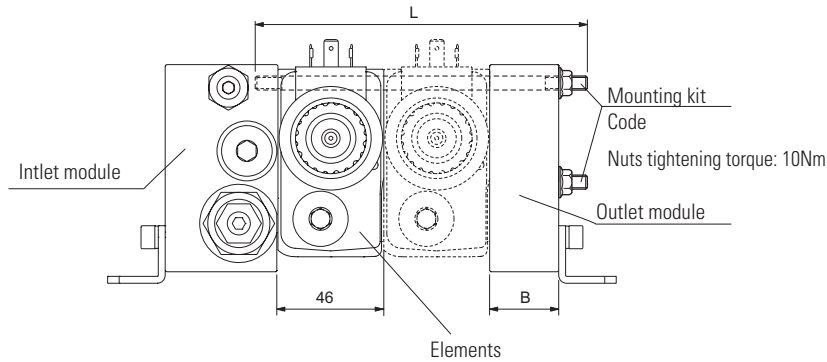
| Inlet module | | FE02Q / FE10P / FE10PS (A=57 mm) - FE10X (A=59 mm) | | | | | | | |
|---------------|---|----------------------------------------------------|--------|----------------|--------|----------------|--------|----------------|--------|
| Outlet module | | FU3 (B=15 mm) | | FU3* (B=20 mm) | | FUT3 (B=25 mm) | | FUS3 (B=35 mm) | |
| | | Code | L (mm) | Code | L (mm) | Code | L (mm) | Code | L (mm) |
| Elements | 1 | V89B50044 | 140 | V89B50045 | 145 | V89B50046 | 150 | V89B50047 | 160 |
| | 2 | V89B50032 | 190 | V89B50048 | 199 | V89B50048 | 199 | V89B50013 | 210 |
| | 3 | V89B50033 | 240 | V89B50033 | 240 | V89B50050 | 250 | V89B50014 | 260 |
| | 4 | V89B50034 | 285 | V89B50034 | 285 | V89B50051 | 296 | V89B50052 | 300 |
| | 5 | V89B50035 | 330 | V89B50035 | 330 | V89B50054 | 340 | V89B50016 | 350 |
| | 6 | V89B50036 | 380 | V89B50036 | 380 | V89B50055 | 390 | V89B50017 | 400 |
| | 7 | V89B50037 | 430 | V89B50037 | 430 | V89B50037 | 430 | V89B50018 | 440 |
| | 8 | V89B50038 | 470 | V89B50038 | 470 | V89B50057 | 480 | V89B50058 | 490 |

Mounting kit

Pre and post compensated valves

Kit composed by No. 4 rods and No. 8 stud nuts

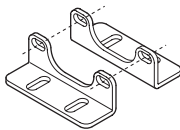
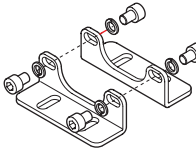
For more combinations contact our customer service.

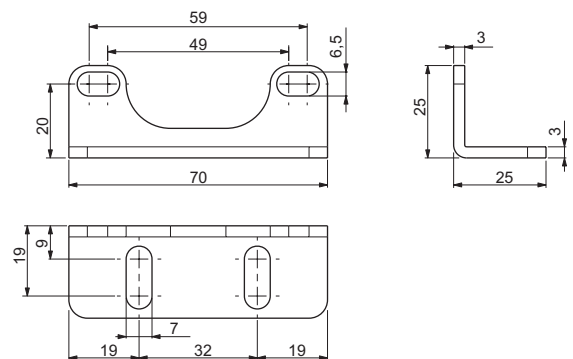


| Inlet module | | FEH30PQ / FEH30LS / FEH30PQ / HSIF | |
|---------------|---|------------------------------------|--------|
| Outlet module | | FUH (B=30 mm) | |
| | | Code | L (mm) |
| Elements * | 1 | V89B50001 | 100 |
| | 2 | V89B50002 | 145 |
| | 3 | V89B50003 | 190 |
| | 4 | V89B50004 | 240 |
| | 5 | V89B50005 | 285 |
| | 6 | V89B50006 | 330 |
| | 7 | V89B50007 | 380 |
| | 8 | V89B50008 | 430 |

* only valves with LS line: CDC3/CD3 body "L-M" ; CX3 body "L"

Fixing feet

| Code | Type |
|---------------|-------------------------------------------------------------------------------------------------------------------------------------------------------------------------------------------------------------------------------------------------------------------------------|
| V89980000 |  <p>ON/OFF and proportional valves Kit supplied with the valves, composed by: - No. 2 feet</p> |
| V89B60000 (*) |  <p>Pre and post compensated valves Kit supplied on request (**), composed by: - No. 2 feet - No. 4 screws - No. 4 washers</p> <p>Screw tightening torque: 10Nm</p> |



* Fixing feet can not be used with HSIF interface module unit.

** If the kit is not required, the valve can be fixed by the fixing holes on the bottom faces of the inlet and outlet modules (see drawing on page 55)

Feet mounting example

